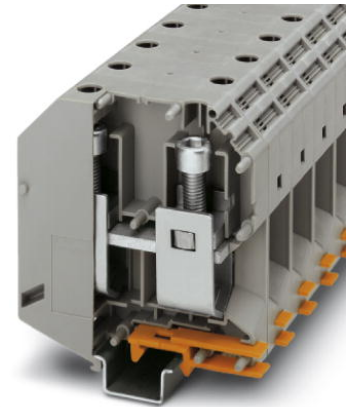


UKH 150

Order No.: 3010110



<http://eshop.phoenixcontact.de/phoenix/treeViewClick.do?UID=3010110>

Universal terminal block with screw connection, cross section: 50 - 150 mm², width: 31 mm, color: gray



Commercial data	
EAN	4017918091842
Pack	10 Pcs.
Customs tariff	85369010
Weight/Piece	0.36067 KG
Catalog page information	Page 31 (CL-2007)

Product notes

WEEE/RoHS-compliant since:
09/01/2005



<http://www.download.phoenixcontact.com>
Please note that the data given here has been taken from the online catalog. For comprehensive information and data, please refer to the user documentation. The General Terms and Conditions of Use apply to Internet downloads.

Technical data

General

Number of levels	1
Number of connections	2
Color	gray

Insulating material	PA
Inflammability class acc. to UL 94	V0

Dimensions

Width	31 mm
Length	100 mm
Height NS 35/15	118.5 mm
Height NS 32	116 mm

Technical data

Maximum load current	309 A (with 150 mm ² conductor cross section)
Rated surge voltage	8 kV
Pollution degree	3
Surge voltage category	III
Insulating material group	I
Connection in acc. with standard	IEC 60947-7-1
Nominal current I _N	309 A
Nominal voltage U _N	1000 V
Open side panel	nein

Connection data

Conductor cross section solid min.	35 mm ²
Conductor cross section solid max.	150 mm ²
Conductor cross section stranded min.	50 mm ²
Conductor cross section stranded max.	150 mm ²
Conductor cross section AWG/kcmil min.	2
Conductor cross section AWG/kcmil max	300 kcmil
Conductor cross section stranded, with ferrule without plastic sleeve min.	50 mm ²
Conductor cross section stranded, with ferrule without plastic sleeve max.	150 mm ²
Conductor cross section stranded, with ferrule with plastic sleeve min.	50 mm ²
Conductor cross section stranded, with ferrule with plastic sleeve max.	150 mm ²
2 conductors with same cross section, solid min.	25 mm ²
2 conductors with same cross section, solid max.	50 mm ²

2 conductors with same cross section, stranded min.	35 mm ²
2 conductors with same cross section, stranded max.	50 mm ²
2 conductors with same cross section, stranded, ferrules without plastic sleeve, min.	25 mm ²
2 conductors with same cross section, stranded, ferrules without plastic sleeve, max.	50 mm ²
Cross-section with insertion bridge, solid max.	150 mm ²
Cross-section with insertion bridge, stranded max.	120 mm ²
Type of connection	Screw connection
Stripping length	40 mm
Screw thread	M 10
Tightening torque, min	25 Nm
Tightening torque max	30 Nm

Certificates / Approvals

Approval logo



CSA

Nominal voltage U _N	600 V
Nominal current I _N	275 A
AWG/kcmil	2-300

UL

Nominal voltage U _N	600 V
Nominal current I _N	285 A
AWG/kcmil	2-300
Certification	BV, CSA, DNV, GOST, PRS, RS, UL

requested approbations

Certification Ex:	CUL-EX, FM, IECEx, KEMA-EX, UL-EX
-------------------	-----------------------------------

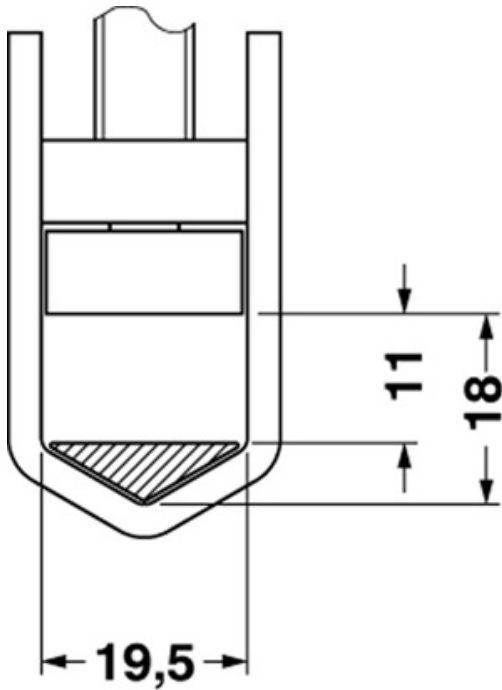
Accessories		
Item	Designation	Description
Assembly		
3003554	AGK 10-UKH 150/240	Pick-off terminal block, fully insulated, enables a voltage connection up to a nominal voltage of 1000 V, color: Gray
1201659	E/AL-NS 32	End bracket, for end support of UKH 50 - UKH 240, is pushed onto DIN rail NS 32 and fixed with 2 screws, width: 10 mm, color: Aluminum
1201662	E/AL-NS 35	End bracket, for end support of UKH 50 to UKH 240, is pushed onto DIN rail NS 35 and fixed with 2 screws, width: 10 mm, color: aluminum
1201028	NS 32 AL UNPERF 2000MM	G rail 32 mm (NS 32)
1201280	NS 32 CU/120QMM UNPERF 2000MM	G-profile DIN rail, deep-drawn, material: Copper, unperforated, height 15 mm, width 32 mm, length 2 m
1201358	NS 32 CU/35QMM UNPERF 2000MM	G-profile DIN rail, material: Copper, unperforated, height 15 mm, width 32 mm, length 2 m
1201002	NS 32 PERF 2000MM	G-profile DIN rail, material: Steel, perforated, height 15 mm, width 32 mm, length 2 m
1201015	NS 32 UNPERF 2000MM	G-profile DIN rail, material: Steel, unperforated, height 15 mm, width 32 mm, length 2 m
1201756	NS 35/15 AL UNPERF 2000MM	DIN rail, deep-drawn, high profile, unperforated, 1.5 mm thick, material: Aluminum, height 15 mm, width 35 mm, length 2 m
1201895	NS 35/15 CU UNPERF 2000MM	DIN rail, material: Copper, unperforated, 1.5 mm thick, height 15 mm, width 35 mm, length: 2 m
1201730	NS 35/15 PERF 2000MM	DIN rail, material: Steel, perforated, height 15 mm, width 35 mm, length: 2 m
1201714	NS 35/15 UNPERF 2000MM	DIN rail, material: Steel, unperforated, height 15 mm, width 35 mm, length: 2 m
1201798	NS 35/15-2,3 UNPERF 2000MM	DIN rail, material: Steel, unperforated, 2.3 mm thick, height 15 mm, width 35 mm, length: 2 m
Bridges		
0201388	EB 2-31/UKH	Insertion bridge, 2-pos., fully insulated, is laid into terminal sleeve and snap fitted into the terminal housing
0201391	EB 3-31/UKH	Insertion bridge, 3-pos., fully insulated, is laid into terminal sleeve and snap fitted into the terminal housing
Marking		
1004513	WS-2K	Adhesive warning plate, self-adhesive, black print: lightning flash with mixed version - "Vorsicht Spannung - Attention Danger" size of label: 32 x 26 mm
1050525	ZB10:SO/CMS	Zack strip, 10-section, divisible, special printing, marking according to customer requirements

Plug/Adapter

3009244	UKH 150/240 EP	Insertion profile, levels out the prism-shaped sleeve base when using flat conductors
---------	----------------	---

Drawings

Dimensioned drawing



Address

PHOENIX CONTACT GmbH & Co. KG
Flachsmarktstr. 8
32825 Blomberg, Germany
Phone +49 5235 3 00
Fax +49 5235 3 41200
<http://www.phoenixcontact.de>



© 2008 Phoenix Contact
Technical modifications reserved;